

A background image showing a close-up of a highly reflective, metallic surface, likely part of a machine, with bright light reflecting off it, creating a shimmering effect.

# CybMotion Motors & Drives



## The Perfect Match

CybMotion drives are compact and flexible servo-controllers providing exceptional performances at unmatched price.

All functions and specifications required in the press-brake and sheet metal applications are available as standard.

CybMotion drives are available in different sizes and voltages to fit the market demand.

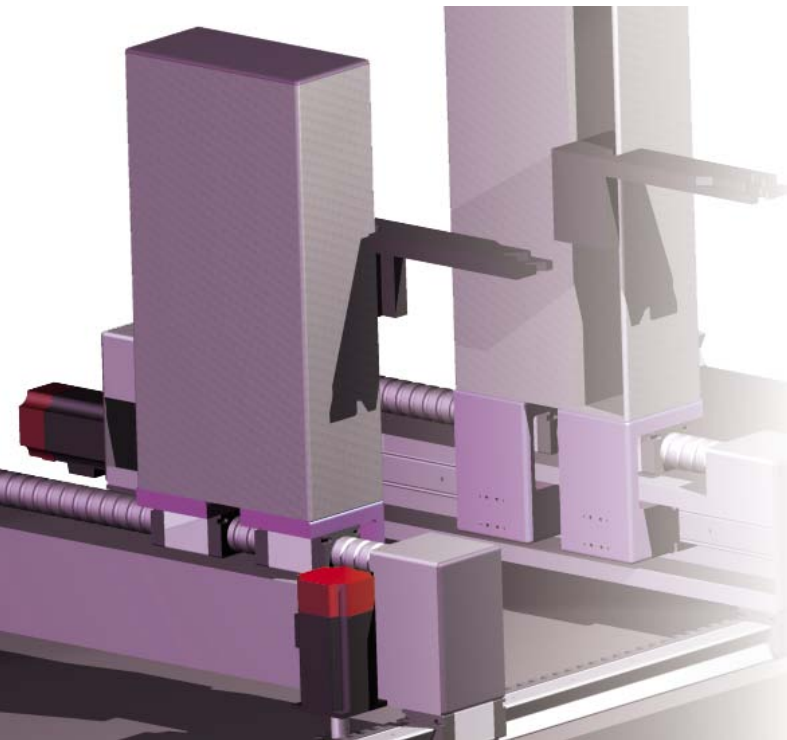
Our especially designed "dual axis in a box" version is very attractive for applications with 2 or more brushless motors.

Dual CybMotion drives offer the following benefits:

- reduced size, space and wiring
- reduced installation time
- reduced cost for OEM

CybMotion AC brushless motors represent an optimized solution for the sheet metal industry, offering the best dimensions/performance ratio.

These motors coupled with the CybMotion drives guarantee electromagnetic immunity, high performances and efficiency of the system.



### Drives

- SAC-CMx230            230 VAC
- SAC-CMx400           400 VAC
- Nominal /peak        5/15 A    or    10/20 A

### Operation modes

- CANopen and analog +/- 10V
- Master/Slave

### Communication interfaces

- RS 232 interface (PC setup)
- CANopen field bus DS301/DS402

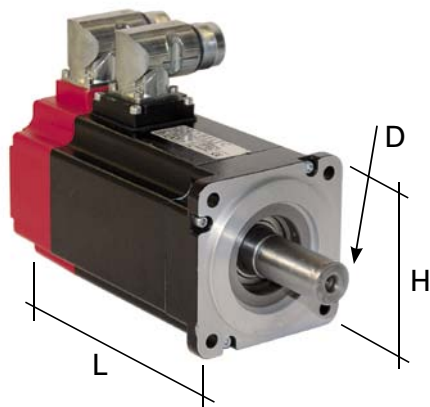
### I/O interfaces

- User configurable digital I/O
- 24 VDC opto-isolated digital inputs
- Encoder simulation output

### Drive setup

- Easy to use CybMotionTools software on PC

Drive type E-SAC-CMxxxx	230 VAC or 400 VAC	Nominal/Peak [A]	Analog	CAN option
Single or Dual	•	5/15	•	(•)
Single or Dual	•	10/20	•	(•)



### Motors

- AC brushless motors
- Sinus waveform
- 8 poles motors
- IP 65 protection
- Class F insulation
- Optional emergency brake available
- Insulation system UL/CSA
- CE certified

Cybelec Reference	Torque [Nm] Continuous / Peak	Length [mm] (L)	Height [mm] (H)	Diameter [mm] (D)
E-SMC-CM0A06/07	0.65 / 1.95	111	60	11
E-SMC-CM0C06/15	1.3 / 3.9	136	60	14
E-SMC-CM0C08/30	2.8 / 8.4	153	80	19
E-SMC-CM0C10/35	3.2 / 11.0	145	100	14
E-SMC-CM0B10/60	5.6 / 22.0	175	100	19